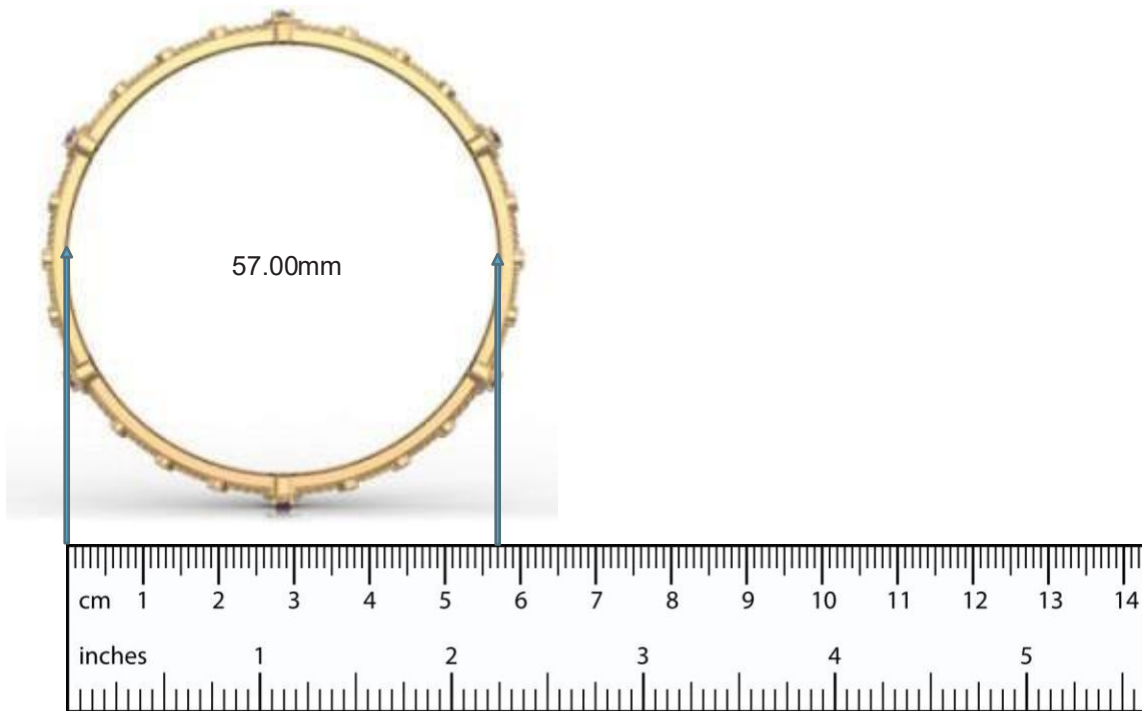


## Bangle Sizer

### Steps to measure your bangle size

1. Print this page and compare the below printed scale with a real one.
2. The scale comparisons is must.
3. Place an existing bangle above the scale and note the inner diameter in mm.
4. Use the bangle size chart to check the size in mm against the preferred column below. For example, If the inner diameter is 60.00 mm then the bangle size is 2-6 anna.



| Bangle Size Anna | Millimeters | Inches = 25.4 mm |
|------------------|-------------|------------------|
| 2.0"             | 51.0        | 2.00"            |
| 2.1"             | 52.50       | 2.06"            |
| 2-2/16"          | 54.0        | 2.12"            |
| 2-3/16"          | 55.50       | 2.18"            |
| 2-4/16"          | 57.0        | 2.24"            |
| 2-5/16"          | 58.50       | 2.30"            |
| 2-6/16"          | 60.0        | 2.36"            |
| 2-7/16"          | 61.50       | 2.42"            |
| 2-8/16"          | 63.0        | 2.48"            |

|  |       |       |
|--|-------|-------|
| 2-9/16"  | 65.0  | 2.55" |
| 2-10/16"   | 67.0  | 2.63" |
| 2-11/16"   | 68.50 | 2.69" |
| 2-12/16"   | 70.0  | 2.75" |
| 2-13/16"   | 71.50 | 2.81" |
| 2-14/16"   | 73.0  | 2.87" |
| 2-15/16"   | 74.50 | 2.93" |
| 3.0"   | 76.0  | 2.99" |
| <b>For conversion of decimal inches to millimeters<br/>and estimate their sizes visit here</b> |       |       |